

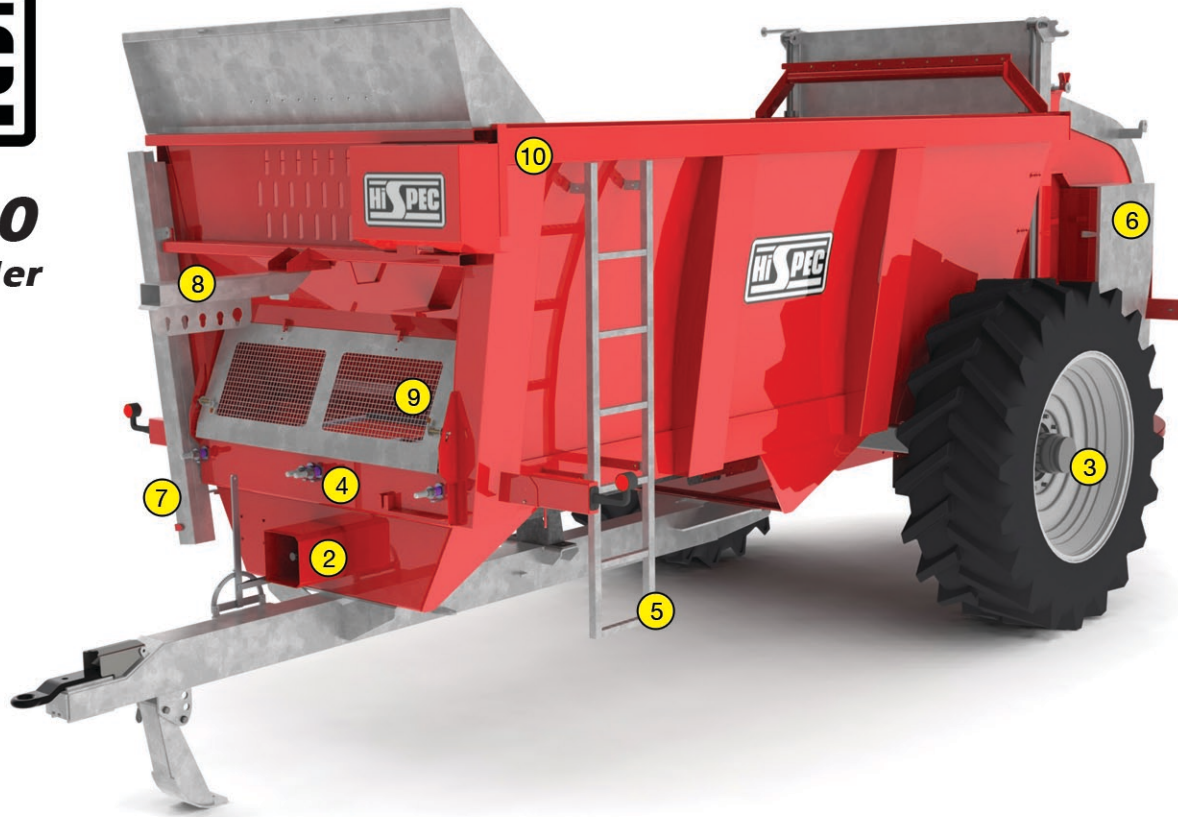
XCEL 1250



Rear Discharge Spreader



XCEL 1250
Precision Spreader



- 1 **Override switch for floor speed**
Rapid emptying of load to increase efficiency
- 2 **Wide angle PTO shaft**
Wide angle Comer PTO as standard
- 3 **Axle**
High speed commercial axle with 420 x 180 hydraulic brakes as standard
- 4 **Floor chains**
4 heavy duty 14mm x 40mm stress relieved floor chains each with a breaking strength of 25 tonnes. (Overall breaking capacity 100 tonnes) Floor chains driven via a hydraulic motor with overload protection and variable flow control to adjust floor speed. Individual floor chains are easily tensioned from the front of the machine
- 5 **Inspection ladder**
Galvanised inspection ladder
- 6 **Maintenance**
Automatic chain oiler and tensioner reduces maintenance. Greasing points are also easily accessed
- 7 **Height Indicator**
Allows the operator to easily see the height of the slurry door from cab
- 8 **Hose carrier**
Hydraulic hoses are stored neatly to the front of the machine for easy connection to the tractor
- 9 **Protective covers**
Steel protective covers provided as standard on moving parts. Designed for maximum visibility where possible
- 10 **Body**
XCEL body shape allows operators to stack extra material to the front of the machine for greater payload

**MANURE
MANAGEMENT**

The XCEL rear discharge spreader provides precision manure spreading management. Our unique technology of the shredding rotor and spinning discs provide a precise application of manure. The spreading width of the XCEL is in excess of 22 - 24 metres, and has a capacity of 12 tonnes, this load can be spread in approx. 3 - 5 minutes

XCEL 1250

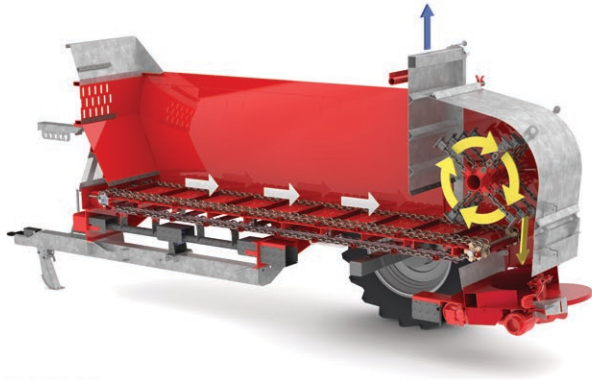
FEATURES



- 11 Galvanised Slurry Door**
Galvanised & reinforced slurry door is adjusted by the operator to control precisely the quantity of material passing through to the rotor
- 12 Quality**
As with all Hi-Spec products, a heavy duty welded construction is shot-blasted to give a well bonded long lasting paint finish.
- 13 Hardox Hood**
4mm galvanised Hardox curved hood ensures that all material is distributed onto the spinning deck
- 14 Adjustable Spread Cover**
Manually adjusted hood extension minimises material loss onto the spinning deck and maximises spreading width
- 15 Shredding Rotor**
22 heavy duty 16mm x 48mm (Grade 10) chains along with 12mm Hardox flail heads shred the manure and provide a high output to the spinning deck. Rotor drive provided by the PTO
- 16 LED lights**
LED lights with protection covers as standard. Width marker side lights to front
- 17 Alliance 580/70 R38 Tyres**
Radial tyres to reduce compaction and also provide safe high speed loading, fitted as standard
- 18 Manure Deck**
2 metres wide hardox manure deck ensures a consistent feed of material is placed in front of the spinning vanes
- 19 Heavy-Duty Vanes**
Wide diameter spreading vanes ensure a consistent spread pattern; vanes are shearbolt protected and are easily interchangeable with light-duty discs for spreading of lighter materials
- 20 Rear Splitter**
Manually adjusted centre splitter reduces excess material being spread directly behind the spreader
- 21 Gearboxes**
Rear spinning discs and floor drive are driven by high speed gearboxes to provide a consistent and even spread pattern up to 24 metres
All gearboxes are rated for 200HP

HI-SPEC BUILD & PERFORMANCE

HI-SPEC BUILD **EXCELLENT PERFORMANCE**



BUILD

Our unique patented & proven chain and disc spreading achieves better consistency, and at greater widths than can be achieved using standard vertical auger machines. The XCEL uses four high strength chains to convey the manure. This hydraulically driven floor provides a constant flow of manure to the shredding rotor. The XCEL spreader has a capacity of 12 tonnes.

PERFORMANCE

High Output (12 tonnes)
Spreading time of 3 - 5 minutes
Spreading widths of up to 24 metres
Precision Spread Pattern
Wide Range of Materials (FYM, Sludge, Compost)

Capable of handling a wider range of manures than vertical auger spreaders, our unique technology shreds and spreads manure in a more intensive manner to ensure a faster uptake in crop nutrition, or a reduction in time to grazing.



▲ Spreading Sludgecake

▼ Spreading Farmacyard Manure



SHREDDING & SPREADING

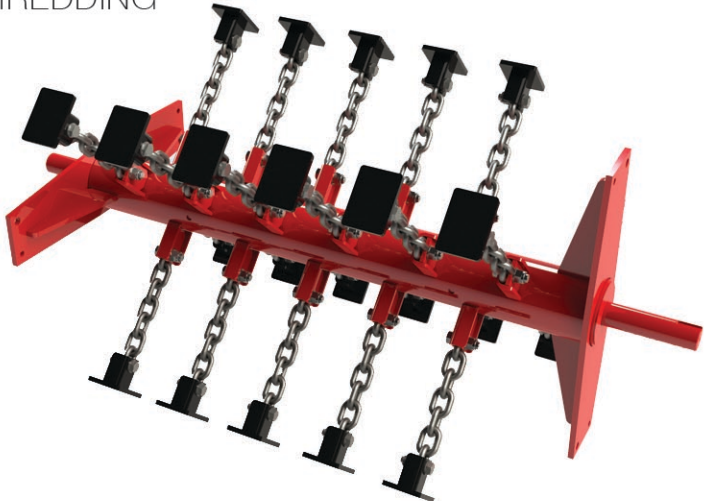


▲ Spreading Muck Lime

▼ Spreading Wood Mulch



SHREDDING



Shredding - 22 heavy duty marine chains & Hardox flails intensively shred the manure

Design - Unique rotor & chains allow foreign objects (stones, blocks etc) to pass through easier than standard vertical auger spreaders.

SPREADING



Width - Spread manure consistently over 22 - 24 metres

Construction - Hardox manure deck & heavy duty vanes provide durability & are ideal for farmyard manure

Precision & Consistency - 4 vanes spreading as standard and optional 12 vane set available for added precision and consistency.

ACCURACY

EXPERIENCE THE XCEL 1250

More Accuracy, More Precision

The XCEL 1250 uses a smart design and simple approach to improve control, usability, efficiency, accuracy and reliability.

The greater build strength of all Hi-Spec products is carried through into the XCEL spreader, whilst also ensuring the machine is easy to use.



GREATER CONSISTENCY GREATER WIDTHS

The enclosed Hardox hood ensures that the manure is delivered directly to the spinning vanes. The high velocity and shredded nature of the manure ensures an even consistent pattern in excess of 22 - 24 metres. The hood extension and centre rear splitter allows you to fine tune your application to your individual needs.



OPTIONS

FINE-TUNE YOUR SPREADING



Precision Vanes - Precision vanes give you consistent pattern & spread over 22 - 24 metres

Other Options Available

Sprung Drawbar - Increased comfort and shock absorption

Electric Floor Speed Control - Accurately control floor speed from the cab for increased efficiency

Greedy Boards - Increase payload capacity with extensions

GPS & Weighcell Management - Accurately record weight and application rates

Headland Control - Spread adjacent to headlands, rivers, etc. with an extended cover

Worklights - Extend working hours with a range of LED worklights

Flashing Beacon - Recommended for road use

Hitch - Flat, Swivel or Spoon type available

Air Brakes - Increase braking capacity for road use

Hydraulic Jack - Easier attachment & detachment from tractors

Toolbox - Convenient storage of tools

TYRES

BKT

580/70 R38
(Standard)



W - 575 (23")
D - 1820 (71.5")

BKT

650/75 R32
(Low Compaction)



W - 655 (26")
D - 1790 (70.5")

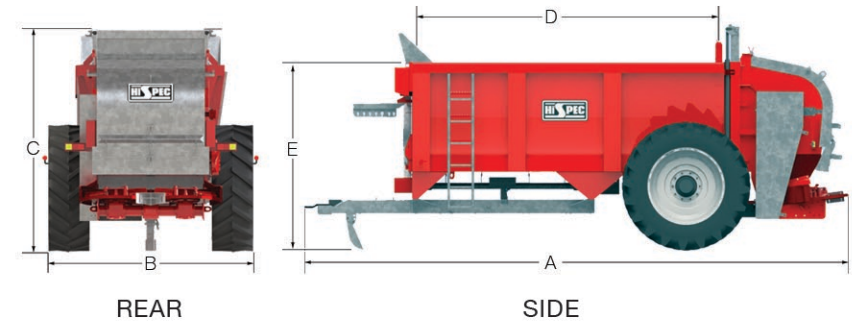
ALLIANCE

30.5L R32
(Grasscare)



W - 790 (31")
D - 1800 (71")

TECHNICAL



<i>XCEL 1250</i>		
Length	A	7750 / 25'5"
Width	B	3060 / 10'
Height	C	3085 / 10'1"
Body	D	4505 / 14'9"
Loading height	E	2250 / 8'4"
Capacity / Heaped		12 tonnes / 14.5m
Spread width		22m - 24m
Unladen weight		6800kg
Standard tyres		580/70 R38
PTO Speed		1000rpm
Axle beam		150x150
Brake size / axle stud		420x180 / 10 stud
No. floor chains		4
Floor chains		14mm x 48mm
Floor drive		Hydraulic / variable speed
Floor / wall thickness		5mm / 4mm
Rotor chains		16mm x 48mm
Rotor Flails		12mm Hardox



Hi-Spec Engineering
Station Road
Bagenalstown
Co. Carlow
Ireland

Tel: +353 (0) 59 97 21929
Fax: +353 (0) 59 97 21980
Email: sales@hispec.net



HiSPEC
www.hispec.net

