

MULTIFUNCTIONAL TELESCOPIC WHEEL LOADER



Taian Tengyu Heavy Industrial Co.,Ltd.

Add: North Nanliu Street, Shigao Industrial Zone,
Taian City, Shandong, China

Tel: 86 538 6713130

<http://www.taian-loader.com>

The information and images in this document are provided for illustrative purpose only and do not bind the manufacturer, who reserves the right to make modifications at any time without prior warning.



DY SERIES

General Introduction:

DY series telescopic loaders have three models: DY620, DY840 and DY1150. The compact size of DY series loaders offers best solution for narrow space works, and front articulated design makes the turning radius smaller which also helps a lot. Telescopic boom offers wider usage.

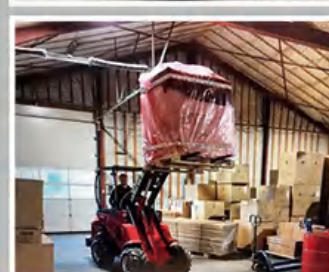
Features:

- Compact design
- Hydrostatic four wheel drive
- Telescopic boom
- Self levering.
- Differential lock.
- Boom floating
- Front articulated structure makes the turning radius much smaller.

Taian Tengyu Heavy Industrial Co.,Ltd.

Multifunctional Telescopic wheel loader





DY620

Overall Dimensions (L*W*H)	2195x980x2150mm
Max.Reach(Boom Extended)	2750mm
Max.Reach(Boom Retracted)	2480mm
Min. Turning Radius	1980mm
Turning Angle	40°
Transmission	4WD
Speed	10km/h
Weight	1100kg
Standard Tire	23x8.5-12
Tire Pressure	2.8bar
Oil Tank Capacity	35L
Pressure	190bar
Working Oil Flow	33L/min
Tracking Oil Flow	50L/min
Oil Model(Mineral Oil)	L-HL46
Fuel Tank Capacity	18L
Battery Capacity	55Ah
Voltage	12v



800kg
500kg

25HP

2750mm

10km/h

33L/min



DY1150

Overall Dimensions (L*W*H)	3410x1500x2350mm
Max.Reach(Boom Extended)	3540mm
Max.Reach(Boom Retracted)	2910mm
Min. Turning Radius	2818mm
Turning Angle	45°
Transmission	4WD
Speed	16.5 km/h
Weight	2300kg
Standard Tire	31X15.5-15
Tire Pressure	2.8bar
Oil Tank Capacity	70L
Pressure	200bar
Working Oil Flow	82L/min(2 Pumps)
Tracking Oil Flow	117L/min
Oil Model(Mineral Oil)	L-HL46
Fuel Tank Capacity	32L
Battery Capacity	70Ah
Voltage	12v



1800kg
1600kg

47HP/57HP

3540mm

16.5km/h

82L/min

DY840

Overall Dimensions (L*W*H)	2600x1240x2230mm
Max.Reach(Boom Extended)	3000mm
Max.Reach(Boom Retracted)	2480mm
Min. Turning Radius	2480mm
Turning Angle	45°
Transmission	4WD
Speed	12km/h
Weight	1860kg
Standard Tire	26X12-12
Tire Pressure	2.8bar
Oil Tank Capacity	40L
Pressure	190bar
Working Oil Flow	67L/min(2 Pumps)
Tracking Oil Flow	78L/min
Oil Model(Mineral Oil)	L-HL46
Fuel Tank Capacity	23L
Battery Capacity	60Ah
Voltage	12v



1200kg
850kg

25HP/39HP

3000mm

12km/h

67L/min

Compatible Engine:



Taian Tengyu Heavy Industrial Co.,Ltd.

Taian Tengyu Heavy Industrial Co.,Ltd.



Model	DY25	DY35	DY50
External dimensions:	3615*1100*2192mm	4139*1360*2230mm	4951*1560*2291mm
Operating weight	1360Kg	2430Kg	2860Kg
Max travel speed	14km/h	20km/h	20km/h
Rated operating capacity(Bucket/Fork)	809Kg/527Kg	1158Kg/850Kg	1680Kg/1350Kg
Max.Dump Height	3593mm	3717mm	4036mm
Tipping Height	2030mm	2272mm	2548mm
Wheel Base	1345mm	1502mm	1733mm
Turn Radius (Inside)	865mm	1106mm	965mm
Turn Radius (Outside)	2210mm	2625mm	2679mm
Max. Turn Radius	1829mm	2206mm	2344mm
Bucket Capacity	0.3-0.48M3	0.3-0.48M3	0.3-0.49M3
Working Oil Flow	36L/Min	32L/Min	56L/Min
Tracking Oil Flow	84L/Min	64L/Min	128L/Min



Model	TL1500	TL2500	TL4000
Overall Length	4390mm	5000mm	7800mm
Overall Width	1870mm	1950mm	2420mm
Overall Height	2720mm	2800mm	2420mm
Standard Tire	20.5-16	16/70-20	17.5-25
Max. Lifting Height	4500mm	4650mm	5530mm
Rated Load	1500kgs-1800kgs	2500kgs-2800kgs	4000kgs-4500kgs
Max. Speed	17km/h	20km/h	36km/h
Wheelbase	2400mm	2430mm	2845mm
Min Turning Radius	4950mm	5600mm	6570mm
Track	1345mm	1480mm	1825mm
Weight	4360kg	5500kg	10200kg
System Pressure	20Mpa	20Mpa	20Mpa
Working Oil Flow	104L/min	104L/min	184L/min
Axle	With Hub Reducer	With Hub Reducer	With Hub Reducer

TL SERIES

Multifunctional Telescopic wheel loader



Our TL1500, TL2500 and TL4000 telescopic wheel loaders with lifting capacity from 1.5 tons to 4.5 tons have a hot market, not only because of the competitive price, but also the good quality with mature technique based on our more than 18 years experience for producing loaders.

Features:

1. Unique telescopic design, widely increase its working scope and usage, and also this new design bring something fresh to the loader business, big advantage for re-sell also.
2. Quick hitch with many kinds of attachments enable the loaders can do different kind of work in many areas. You can find all what you need here in our factory.
3. Many other options meet any of your requirements to make the ideal machine you want. Such as different tires and different engines to choose.
4. Another big advantage compared with other normal loaders, ours can be equipped with rear hydraulic output & 3 point hitch, which makes it can turn into a tractor. So spending money once for a loader, and you can get both loader and tractor.
5. The air condition as standard configuration make the operating more comfortable.
6. Joystick controlling makes the operating easy and convenient.
7. The Rear cover can be opened by your hands, which makes the maintenance much more simple.
8. The self-levering which will keep the bucket parallel always with the floor when raising and lowering bucket.



TLT30-8

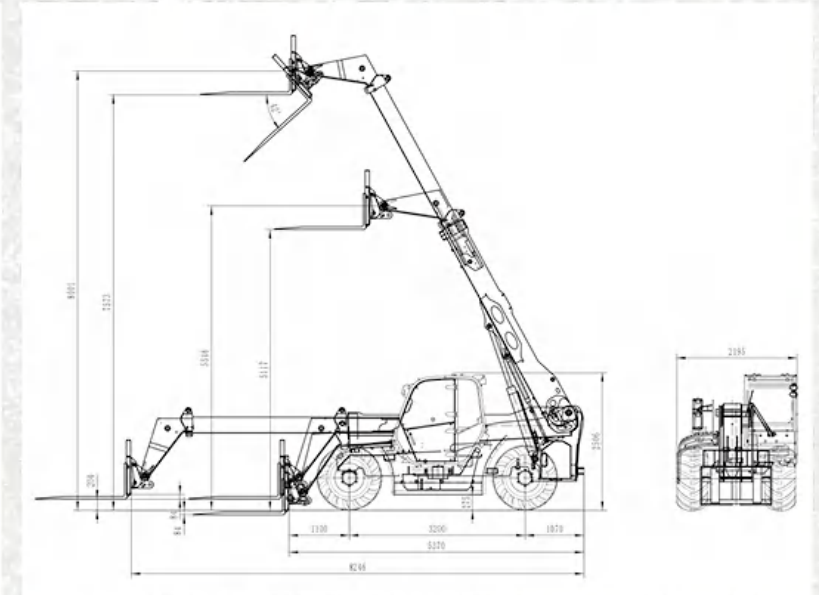
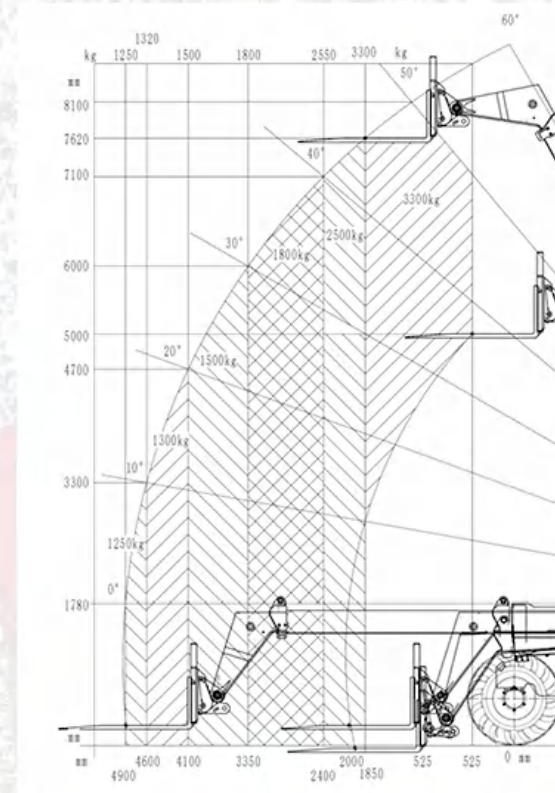




TLT30-8 Telescopic Handler



TLT30-8 Telescopic Handler



Three steering models



Model	TLT30-8	
Lifting capacity	3000kg	
Max. height to pin	8000mm	
Weight	7500kgs	
Dimensions	Max. length without fork	5370mm
	Max. width	2195mm
	Max. height to top of cabin	2600mm
Forks	Length x Width x Thickness	1850mm*1300mm*50mm
	Carriage rotation	42°
Tire	16/70-24, 16ply	
Max. Speed	34 km/h	
Number of gears (forward/reverse)	4 / 4	
Turning angel	27°	
Hydraulics	System pressure	28Mpa
	Hydraulic output	117L/min

- ※ Two-wheel steer is perfect for roading;
- ※ Four-wheel steer provides great manoeuvrability in tight spaces;
- ※ Crab steer is designed to edge your telehandler either close to or away from walls.



FL1000 Mini Forklift



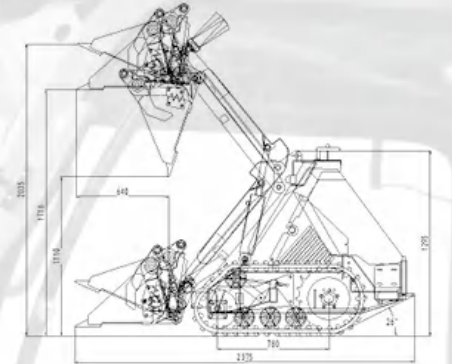
DY620E Fully Electric Mini Loader



MS SERIES MINI SKID STEER LOADER



- Battery driven, 100% full electric;
- Lead-acid batteries;
- 300 Ah/12kWh battery capacity;
- Hydrostatic 4WD;
- Low noise;
- Telescopic boom as standard;



Model	MS500
Dimensions	1760x1100x1295mm
Rated Loading Capacity	520Kg
Max.Reach	1800mm
Weight	1050Kg
Engine	Yanmar/Changchai
Engine Power	24HP/25HP



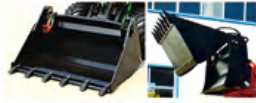
Model	DY620E
Overall Dimensions (L*W*H)	2290*980*1965mm
Max. Reach (Boom Extended)	2750mm
Max. Reach (Boom Retracted)	2220mm
Rated Loading Capacity	500kg-800kg
Min. Turning Radius	1980mm
Turning Angle	40°
Transmission	4WD / Hydrostatic
Weight	1500 kg
Standard Tire	23X8.5-12
Working Pressure	180bar
Working Oil Flow	30L/min
Battery	Lead-acid Battery
Battery Capacity	12 kWh/300Ah
Power	Electric





1. Standard Bucket

Model	SB1000	SB2000	SB4000	SB5000	SB6000	SB7000	SB8000
Length	460mm	600mm	750mm	750mm	756mm	930mm	1050mm
Width	1110mm	1020mm	1265mm	1516mm	1816mm	1816mm	2420mm
Height	430mm	500mm	500mm	500mm	760mm	900mm	1060mm
Capacity	0.15m³	0.25m³	0.35m³	0.65m³	0.80m³	1.2m³	1.8m³
Weight	90kgs	110Kgs	140Kgs	168Kgs	245Kgs	300Kgs	615Kgs
Compatible	MS500	DY620	DY840	DY1150	TL1500	TL2500	TL4000



2. Four in one Bucket

Model	FB1000	FB2000	FB4000	FB5000	FB6000	FB8000
Length	1000mm	1040mm	1260mm	1530mm	1830mm	2380mm
Width	620mm	890mm	890mm	890mm	890mm	1335mm
Height	520mm	658mm	658mm	658mm	658mm	1065mm
Open Distance	470mm	500mm	500mm	500mm	500mm	1170mm
Capacity	0.15m³	0.3m³	0.35m³	0.45m³	0.65m³	1.5m³
Weight	180Kg	210Kg	240Kg	280Kg	310kg	1040kgs
Compatible	MS500	DY620	DY840	DY1150	TL1500/TL2500	TL4000



3. Pallet Fork A

Model	FLA2000	FLA4000
Width	1065mm	1196mm
Length	1000mm	1000mm
Height	540mm	540mm
Max. Adjust Distance	790mm	790mm
Min. Adjust Distance	120mm	120mm
Weight	118Kg	150Kg
Compatible	DY620/MS500	DY840/DY1150/TL1500/TL2500



4. Pallet Fork with Tines

Model	FLT2000	FLT4000
Length	1065mm	1196mm
Width	974mm	974mm
Height	540mm	540mm
Length of Teeth	75-80CM	75-80CM
Max. Adjust Distance	790mm	790mm
Min. Adjust Distance	120mm	120mm
Weight	118Kg	150Kg
Compatible	MS500/DY620	DY840/DY1150/TL



5. Pallet Fork B

Model	FLB2000	FLB4000
Length	1065mm	1196mm
Width	1100mm	1100mm
Height	965mm	965mm
Max. Adjust Distance	790mm	790mm
Min. Adjust Distance	120mm	120mm
Weight	138Kg	170kg
Compatible	MS500/DY620	DY840/DY1150/TL



6. Collapsible Pallet Fork

Model	CLA2000	CLA4000
Length	1065mm	1196mm
Width	974mm	974mm
Height	540mm	540mm
Max. Adjust Distance	790mm	790mm
Min. Adjust Distance	120mm	120mm
Weight	118Kg	150Kg
Compatible	MS500/DY620	DY840/DY1150/TL



7. Hydraulic Adjustable Pallet Fork

Model	HAF4000	HAF5000
Length	1200mm	1400mm
Width	1065mm	1230mm
Height	900mm	920mm
Weight	200kg	299kg
Compatible	DY620/DY840	DY1150/TL



8. Side Shift Forklift

Model	SHF4000	SHF5000
Adjustable Range	28-860mm	28-930mm
Width	970mm	1040mm
Side Shift Range	±100mm	±100mm
Weight	120kg	150kg
Compatible	DY620/DY840	DY1150/TL



9. Beehives Forklift Clamp

Model	BFC5000
Max Load	1000kg
Grabbing width	700m(can be set manually)
Grabbing height	1188-2188mm(can be set)
Side shift adjustable range	28-930mm
Side shift stroke	±100mm
Weight	350kg
Compatible	DY/TL



10. Grapple Forklift

Model	GF2000	GF4000
Length	1065mm	1196mm
Width	974mm	974mm
Height	700mm	700mm
Max. Adjust Distance	790mm	790mm
Min. Adjust Distance	120mm	120mm
Weight	190Kg	215Kg
Compatible	MS500/DY620	DY840/DY1150/TL



11. Big Bag Mover

Model	BM1000
Length	665mm
Width	1145mm
Height	1475mm
Weight	68Kg
Compatible	DY/TL



HFA2000/HFB4000



HFB5000

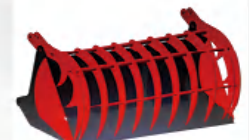
12. Hay Fork

Model	HFA2000	HFB4000	HFB5000
Length	650mm	1300mm	1300mm
Width	1000mm	1200mm	1860mm
Height	656mm	1060mm	1060mm
Weight	150kg	400Kg	500Kg
Teeth Nos.	/	5	8
Compatible	MS500/DY620	DY840/DY1150/DY25/DY35	TL1500/TL2500



13. Bale Fork

Model	BF2000
Overall Length	1500mm
Overall Width	900mm
Effective Length of Fork Teeth	680mm
Overall Height	640mm
Weight	115kg
Compatible	DY/TL



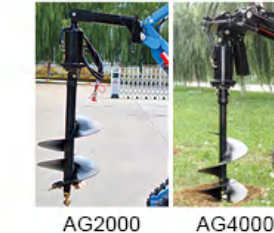
14. Silage Bucket Grapple

Model	SBG5000
Overall Length	1900mm
Overall Width	900mm
Overall Height	800mm
Weight	376kg
Compatible	DY1150/TL1500/TL2500

15. Auger (Auger Driving Unit + Auger Bits)

Model	AG2000	AG4000	
Total Length	570mm	400mm	400mm
Total Width	630mm	570mm	830mm
Total Height (Without Auger Bit)	550mm	550mm	550mm
Weight (Without Auger Bit)	85kg	90Kg	90kg
Compatible	MS500	DY	TL

*Standard auger bits' length is 1200mm, please confirm with us if any different requests.



AG2000

AG4000

*Optional Auger Bits :

Diameter	Weight
1.) 200mm Bit	16kg
2.) 300mm Bit	32kg
3.) 400mm Bit	38kg
4.) 600mm Bit	61kg



16. Trencher

Model	TR2000	TR4000	TR5000
Total Length	1500mm	1700mm	1950mm
Total Width	900mm	900mm	900mm
Total Height	670mm	670mm	670mm
Working Width	200mm	200mm	200mm
Working Depth	800mm	1000mm	1200mm
Suggested Working Angle	65°	65°	65°
Weight	220Kg	239Kg	280Kg
Compatible	DY840	DY1150	TL



17. Mini Digger

Model	MD4000
Dimension (LxWxH)	1760mmx800mmx650mm
Width of Bucket	330mm
Bucket Capacity	0.04 m³
Digging Depth	1360mm
Weight	180kg
Compatible	MS500/DY/TL

*Lower Teeth is optional.



18. Backhoe

Model	EX4000
Min. Width of the Supporting Leg	1530mm
Working Width of the Supporting Leg	2000mm
Max. Digging Depth	2170mm
Max. Working Height	3100mm
Loading Height	1730mm
Stand Bucket Capacity	0.04CBM
Weight	667kg
Compatible	DY840/DY1150/TL

19. Concrete Mixer



Model	CM2000
Length	1150mm
Width	1010mm
Height	1000mm
Tank Capacity	0.25CBM
Mixing Speed	9~40 r/min
Max. Working Pressure	18Mpa
Weight	229kg
Compatible	DY/TL

20. Hydraulic Hammer



Model	HY1000	HY2000
Total Length	1290mm	1160mm
Working Pressure	90-120bar	80-100bar
Oil Flow	15-25L/min	20-35L/min
Strike Frequency	700-1200Bpm	650-1200Bpm
Rod Diameter	45mm	45mm
Operating Weight	147kg	361kg
Compatible	MS500/DY620	DY840/DY1150/TL

21. Open Sweeper



Model	OS2000	OS4000	OS5000
Weight	180kg	320kg	375kg
Working Width	1300mm	1400mm	1720mm
Total Width	1810mm	1810mm	1990mm
Brush Diameter	430mm	660mm	660mm
Working Width at 30°	1150mm	1250mm	1520mm
Working Pressure	18MPa	18MPa	18MPa
Compatible	MS500/DY620	DY840/DY1150	TL

22. Lawn Mower



Model	LM2000
Overall Dimensions (L*W*H)	1260mm*1600mm*530mm
Weight	260kg
Cutting Width	1500mm
Cutting Height	25mm-100mm
Blade Quantity	3
Compatible	MS500/DY/TL

23. Rotary Mower



Model	RM5000	RM6000
Weight	230KGS	270KGS
Width	1550mm	1900mm
Y blade	42PCS	52PCS
Compatible	DY840/DY1150	TL

24. Telescopic Extension Boom



Model	TEB2000
Overall Length	1340mm
Overall Width	550mm
Overall Height	350mm
Max Extension Length	2000mm
Weight	129kg
Compatible	DY/TL

25. Jib Boom



Model	JM4000	JM5000	JM6000
Overall Length	1300mm	1500mm	1500mm
Overall Width	550mm	550mm	830mm
Overall Height	360mm	360mm	440mm
Weight	50KGS	60KGS	87KGS
Compatible	DY620/DY840	DY1150	TL1500/TL2500

26. Log Grabber



Model	LG3000	LG4000
Overall Length	1000mm	1300mm
Overall Width	930mm	930mm
Overall Height	800mm	1300mm
Biggest Open Distance	900mm	1050mm
Weight	260kg	330Kg
Compatible	DY840/DY1150	TL1500/TL2500

27. Timber Grab



Model	TG1000
Rotation Type	Hydraulic 360° Rotating
Grapple Opening Diameter	1220mm
Weight	253kg
Compatible	DY

28. Bale Grabber B



Model	BGB2000
Dimensions (L*W*H)	1400mm*1000mm*770mm
Max. Open Distance	1800mm
Min. Open Distance	100mm
Max. Grabbing Diameter	1600mm
Min. Grabbing Diameter	860mm
Weight	229kg
Compatible	DY840/DY1150/TL1500/TL2500

29. Trailer



Model	DT2000	DT4000
Carriage Size	2500mm*1500mm*400mm	3000*1600*400mm
Overall Dimension	3800mm*1550mm*1500mm	4300*1700*1700mm
Rated Load	2000kg	3000kg
Tare weight	280kg	580kg
Brake/dumping	Air Brake/Hydraulic dumping	Air Brake/Hydraulic dumping
Tires	700-16	10.0/75-15.3
Tipping form	Back Tipping	Back Tipping
Compatible	DY840/DY1150	TL2500

30. High Pressure Washer



Model	HPW2000
Dimension(L*W*H)	1100*1250*1400mm
Max. Water Flow	30L/min
Max. Water Pressure	200Bar
Water Tank Volume	400L
Nozzle Bar Turning	Manual
Adjustable Angle	40° (L & R)
Nozzles	6PCS
Water Hose Length	10M
Compatible	DY620, DY840, DY1150
Weight	100KGS

ABOUT US

Taian Tengyu Heavy Industrial Co., Ltd (Which was called Taian Dongyue Carrying Machinery Co., Ltd before) has more than 20 years' experiences with production of all kinds of loaders, and is the first one in China who starts to manufacture multifunctional telescopic wheel loaders in China, after years' of improvements and developments, our products are mature and have been sold worldwide, won very good market response.

Two series telescopic wheel loaders together with mini wheel loaders, telescopic handlers, forklift and mini skid loaders, our machines can cover nearly all kinds of works. What's more all of them are multifunctional machines, with the quick coupling system and hydraulic output, you can use hundreds of attachments to do varies jobs.

With reliable quality, experienced engineering team, professional after-sales service, we can be your long term partner, welcome to join us!

